



US0D1040241S

(12) **United States Design Patent** (10) **Patent No.:** **US D1,040,241 S**
Che (45) **Date of Patent:** **** Aug. 27, 2024**

(54) **PUZZLE BOARD**

(71) Applicant: **Xiaoling Che**, Danyang (CN)

(72) Inventor: **Xiaoling Che**, Danyang (CN)

(**) Term: **15 Years**

(21) Appl. No.: **29/910,054**

(22) Filed: **Aug. 15, 2023**

Related U.S. Application Data

(63) Continuation of application No. 29/818,458, filed on Dec. 9, 2021, now Pat. No. Des. 1,024,210.

(30) **Foreign Application Priority Data**

Sep. 26, 2021 (CN) 202111131554.1

(51) **LOC (14) Cl.** **21-01**

(52) **U.S. Cl.**
USPC **D21/397**; D21/480

(58) **Field of Classification Search**
USPC D21/397, 783, 480; D6/406.2, 406.3, D6/406.4, 406.1, 642, 686, 707.22; D7/550.1, 553.1, 553.2, 554.3; D3/274, D3/297
CPC A63F 9/1044; A63F 9/015; A63F 9/1055; A63F 9/1077; A63F 2009/1022; A63F 1/06; A63F 1/067; A47B 25/00; A47B 23/00; A47B 23/043; A47B 27/00; A47B 2031/003; A47B 3/00; A47B 3/083
See application file for complete search history.

(56) **References Cited**

U.S. PATENT DOCUMENTS

D217,778 S 6/1970 Herstam
D400,600 S * 11/1998 Ackerman D21/478
6,928,932 B1 * 8/2005 Ferrill A47B 37/00
108/26
D648,401 S 11/2011 Johnson

(Continued)

FOREIGN PATENT DOCUMENTS

CN 305037952 S 2/2019
CN 305276111 S 7/2019

(Continued)

OTHER PUBLICATIONS

Teakmama Rotating Puzzle Board, available on Amazon.com, oldest customer review with photo Dec. 29, 2022, [site visited Nov. 24, 2023], URL: <https://www.amazon.com/1500-Rotating-Jigsaw-Drawers-Portable/dp/B0B719VL4W/> (Year: 2022).*

(Continued)

Primary Examiner — Cary M Robinson

Assistant Examiner — Emily Anna Saunders

(74) *Attorney, Agent, or Firm* — Andrew C. Cheng

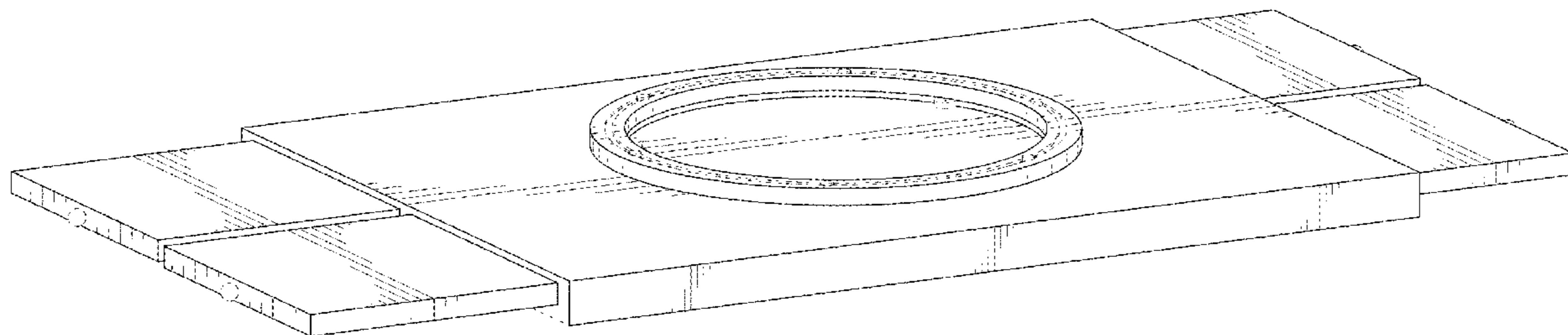
(57) **CLAIM**

The ornamental design for a puzzle board, as shown and described.

DESCRIPTION

FIG. 1 is a rear perspective view of a puzzle board, showing my new design;
FIG. 2 is a front perspective view thereof;
FIG. 3 is a front elevational view thereof;
FIG. 4 is a rear elevational view thereof;
FIG. 5 is a left side elevational view thereof;
FIG. 6 is a right side elevational view thereof;
FIG. 7 is a top plan view thereof; and
FIG. 8 is a bottom plan view thereof; and,
FIG. 9 is an enlarged view of portion 9 of FIG. 7.
The broken lines shown in the figures depict portions of the puzzle board which forms no part of the claimed design. The dot-dash lines depict the boundaries of the enlarged view and form no part of the claimed design.

1 Claim, 9 Drawing Sheets



(56)

References Cited

U.S. PATENT DOCUMENTS

D977,025 S * 1/2023 Fan D3/297
 D986,339 S * 5/2023 Huang D21/397
 D1,002,748 S * 10/2023 Huang D21/480
 D1,005,406 S * 11/2023 Zhou D21/397
 11,890,551 B2 * 2/2024 Che A47B 41/02
 D1,024,210 S * 4/2024 Che D21/397
 2021/0170267 A1 * 6/2021 Malki A63F 9/1044
 2021/0170268 A1 * 6/2021 Malki A63F 9/1044
 2023/0097737 A1 * 3/2023 Che A63F 9/1044
 2023/0293979 A1 * 9/2023 Che A47B 19/08
 2023/0356068 A1 * 11/2023 Che A63F 9/1044
 2023/0356069 A1 * 11/2023 Che A63F 9/1044
 2023/0356070 A1 * 11/2023 Che A63F 9/1044
 2024/0108973 A1 * 4/2024 Che F16M 11/08

FOREIGN PATENT DOCUMENTS

CN 305913827 S 7/2020
 CN 306973738 S 11/2021

CN 307160750 S 3/2022
 CN 307378473 * 5/2022
 CN 307378473 S 5/2022
 CN 307538541 S 9/2022
 CN 308064523 * 6/2023

OTHER PUBLICATIONS

Bits and pieces, available on Amazon.com, oldest customer review with photo Dec. 31, 2018, [site visited Nov. 24, 2023], URL: <https://www.amazon.com/Bits-Pieces-Standard-Plateau-Smooth-Fiberboard/dp/B00C5VMW7G/> (Year: 2018).*

1500 Piece Wooden Puzzle Board, available on Amazon.com, oldest customer review with photo Nov. 22, 2019, [site visited Nov. 24, 2023], URL: <https://www.amazon.com/Puzzle-Drawers-Protective-Hangers-Wooden/dp/B07XR17W6T/> (Year: 2019).*

ALL4JIG Rotating Puzzle Table, available on Amazon.com, oldest customer review Oct. 24, 2021, [site visited Nov. 27, 2023], URL: <https://www.amazon.com/ALL4JIG-Rotating-Drawers-Portable-Spinning/dp/B09WTSKMVW/> (Year: 2021).*

* cited by examiner

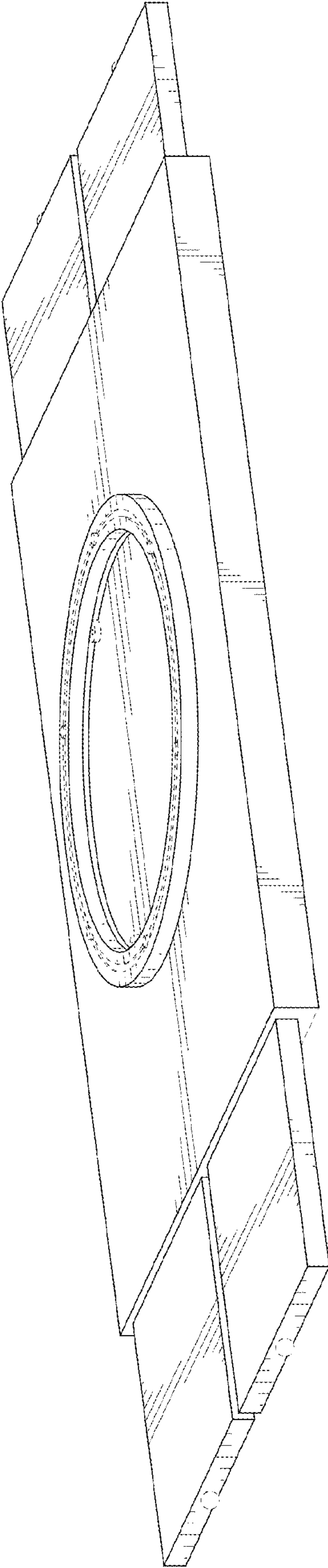


FIG. 1

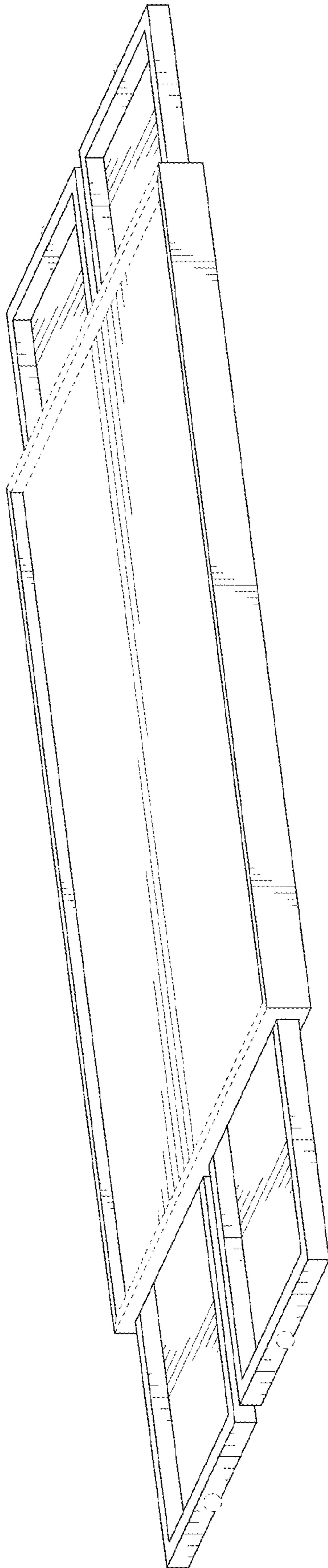


FIG. 2

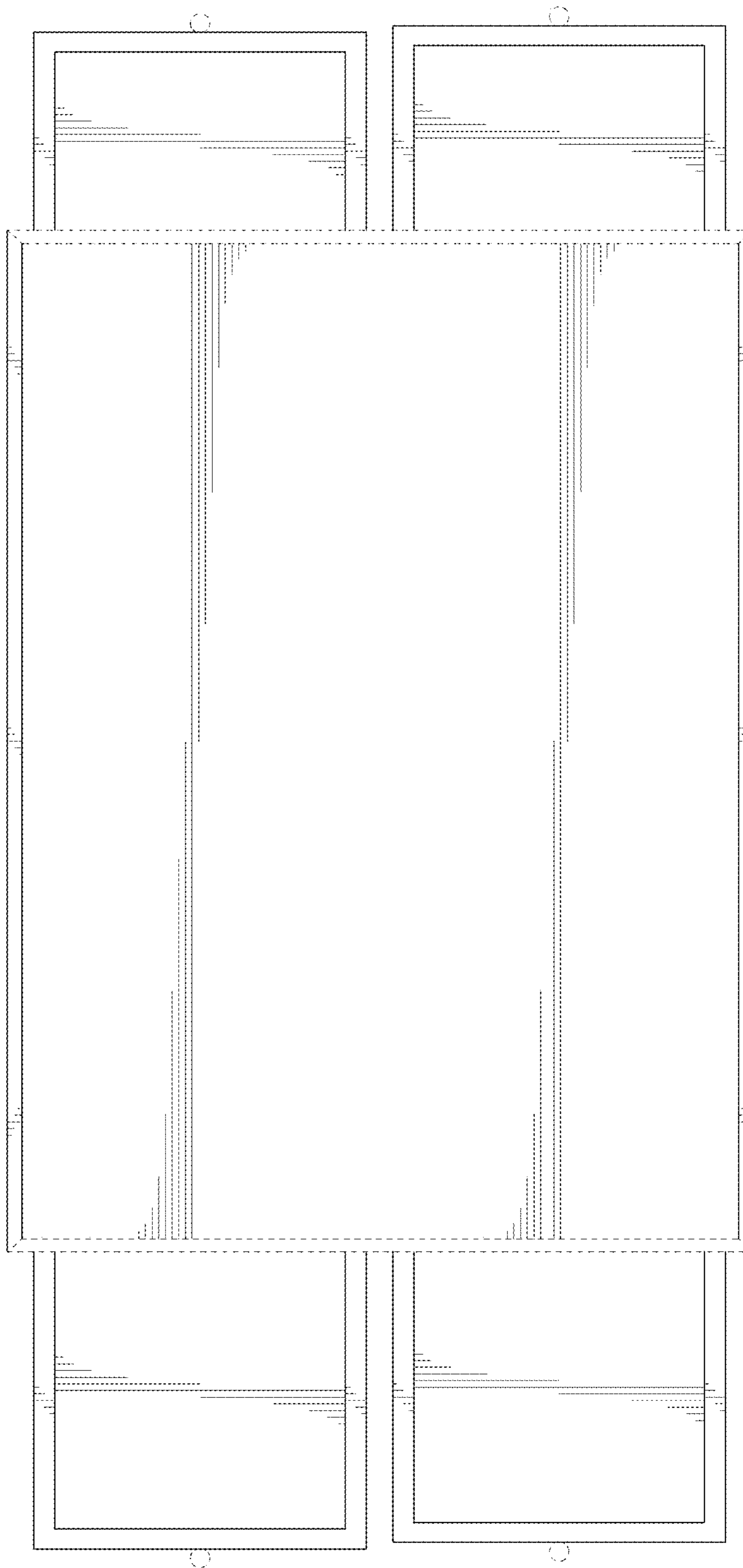


FIG. 3

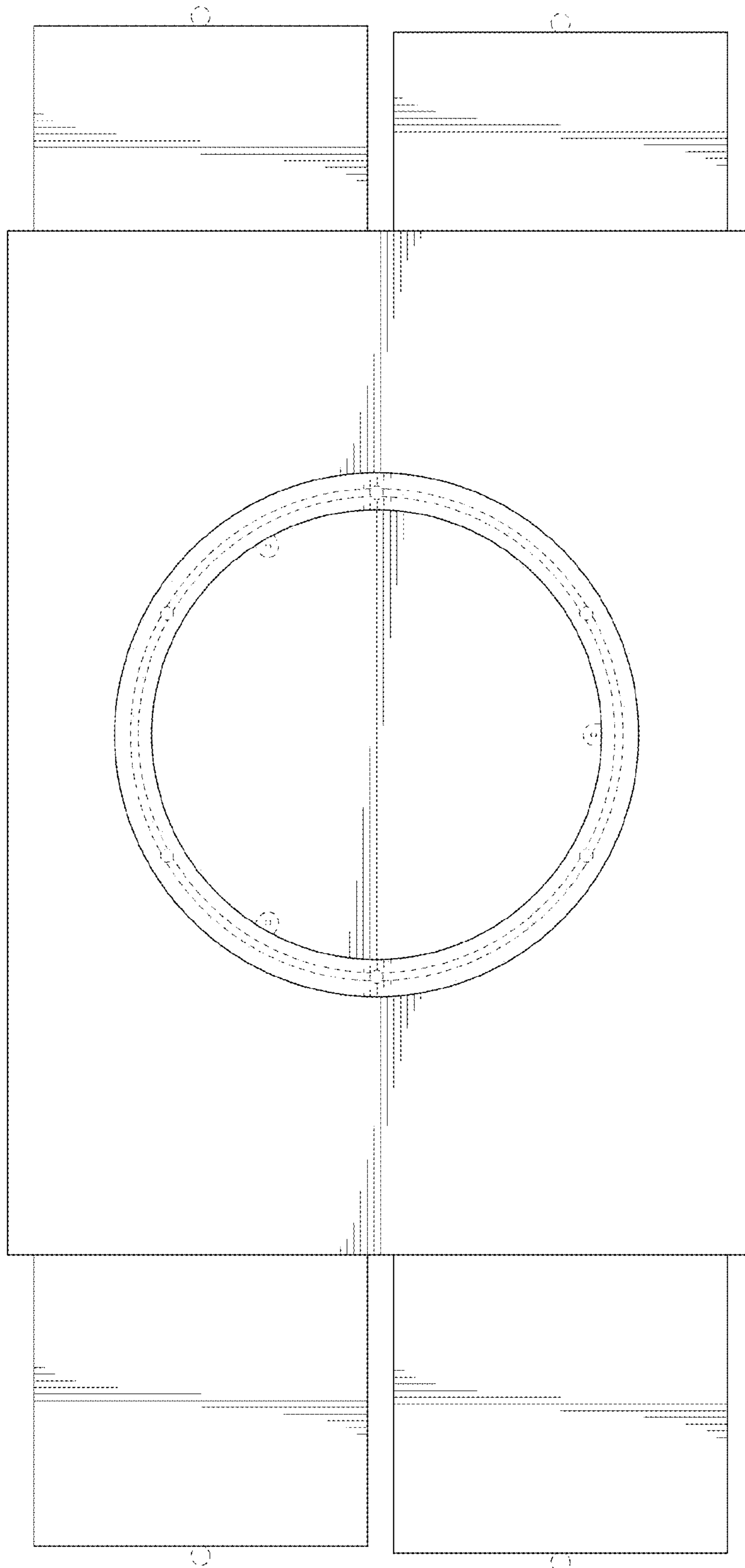


FIG. 4

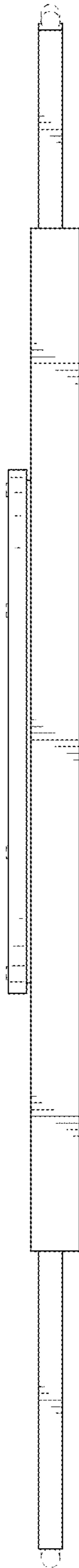


FIG. 5

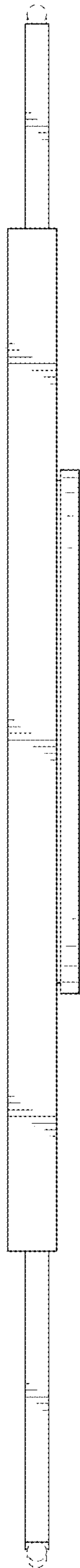


FIG. 6

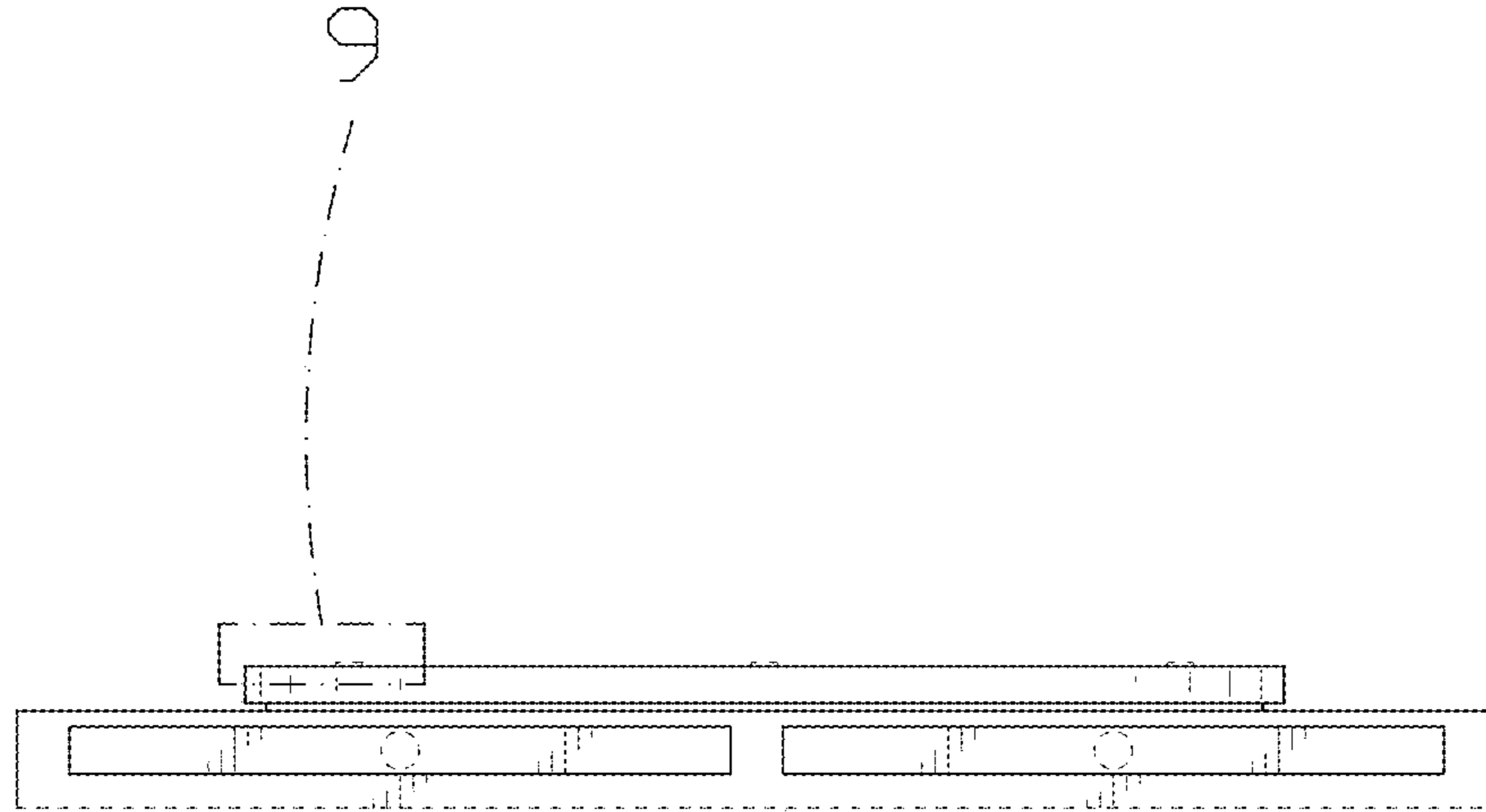


FIG. 7

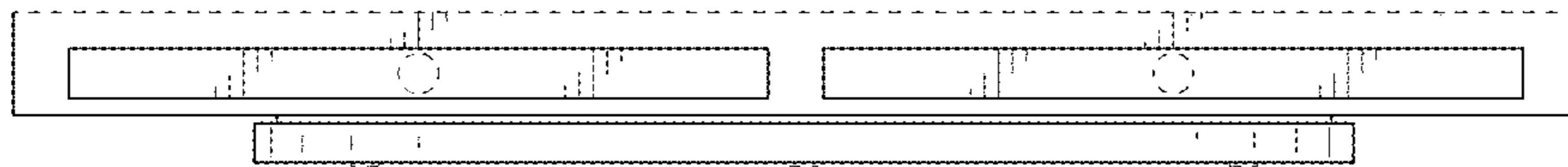


FIG. 8

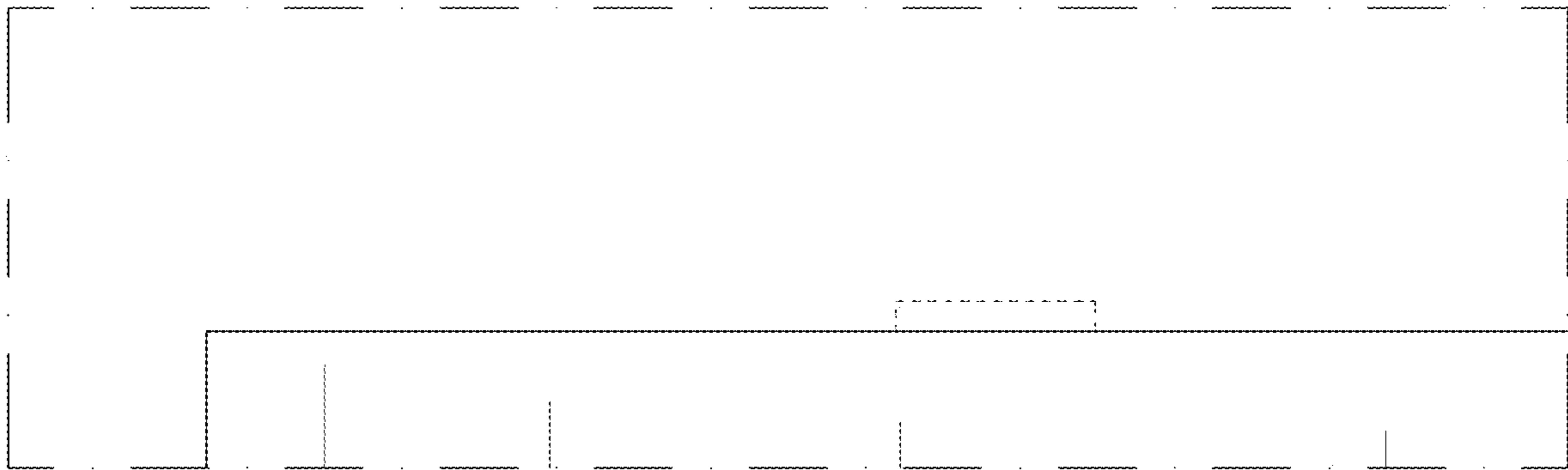


FIG. 9